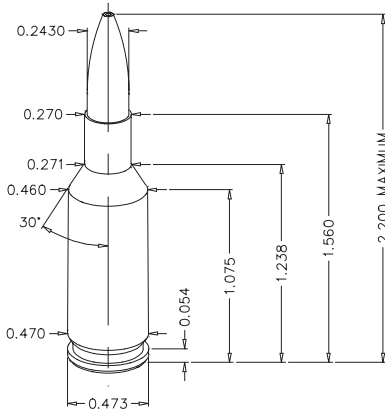


6mm BR Remington



Test Specifications/ Components

Firearm Used: Savage 12VSS

Barrel Length: 26"

Twist: 1 x 8"

Case: Remington

Trim-to Length: 1.550"

Primer: Remington 7 1/2

Remarks:

In the late 1970s, Remington marketed a line of cases under a rather unique premise — the brass was not intended to be loaded as it came from the factory. Known as the Remington Bench Rest case, this was a thin-walled 308 Winchester case dimensioned to accept the small rifle primer and specifically

annealed for case forming. Behind the scenes, Remington's Mike Walker and Jim Stekl had been working with a series of short, squat little cartridges based on the 308 head size. Based on their results from testing and actual benchrest competition, the BR family (as they came to be called) showed tremendous promise. Since then, both the 22 and 6mm BR chamberings have been offered in Remington's vaunted 40-X target rifles.

The 6mm BR's closest competitor is the 6mm PPC. Similar in case shape and capacity, the performance levels of the two are quite similar. Why has the PPC come to dominate the benchrest game so completely while the 6mm BR has been slow to catch on? It's hard to say. Much of the early brass imported for the PPC was extremely high quality, giving outstanding results when the cartridge was introduced. At the same time, the BR required considerable work to form it from the parent 308 Bench Rest case. At any rate, the PPC became the preferred choice for benchrest competition, leaving the 6mm BR something of a forgotten cartridge. This is beginning to change, and interest in this fine little round is increasing.

Remington finally standardized the 6mm BR in 1989, offering both loaded ammunition and factory-formed brass. It should be noted that the case standardized in 1989 was changed slightly from the original dimensions of the wildcat 6mm BR. The new case has a neck .040" longer than the original, making the maximum case length 1.560". Guns produced prior to January 1989 require the cases to be trimmed by .040" before they can be used. Since many of these guns were produced for benchrest competition, rifles having tight necks may be encountered. A chamber cast, which can be done by any competent gunsmith, is the best way to determine the neck dimensions of your rifle.

6mm BR Remington continued

Developing surprisingly high velocities for such a small case, the 6mm BR has outstanding potential as a varmint cartridge. With the heavier bullets, and very precise shot placement, the 6mm BR is a marginally adequate deer cartridge. At present, the BR cartridges all appear to have a promising future ahead of them.

#1500 .243" 60 gr. HP
C.O.A.L. 2.075"



#1502 .243" 55 gr. BlitzKing
C.O.A.L. 2.100"



Powder↓/Velocity→	2900	3000	3100	3200	3300	3400
AA-2015	26.2	27.2	28.3	29.3	30.3	
RE-7	22.3	23.5	24.7	25.8	27.0	28.2
IMR-3031	27.7	28.5	29.3	30.0	30.8	
Benchmark	27.3	28.2	29.1	30.0	30.9	31.8
H322	26.5	27.3	28.1	28.9	29.7	
X-Terminator	26.9	27.9	28.9	29.8	30.8	31.8
AA-2230	27.4	28.4	29.4	30.4	31.4	32.4
IMR-4895	30.1	30.9	31.8	32.6		
Viht N135	27.2	28.2	29.2	30.2		
Varget	30.3	31.2	32.1	33.0	33.9	
Energy/ft.lbs.	1120	1199	1280	1364	1451	1540

	Powder	Grains	Velocity	Ft. lbs.
Accuracy Load	H322	28.9	3200	1364
Hunting Load	RE-7	28.2	3400	1540

INDICATES MAXIMUM LOAD – USE CAUTION

LOADS LESS THAN MINIMUM CHARGES SHOWN ARE NOT RECOMMENDED.

6mm BR Remington continued

#1505 .243" 70 gr. HPBT MatchKing
C.O.A.L. 2.150"



#1507 .243" 70 gr. BlitzKing
C.O.A.L. 2.150"



#1510 .243" 75 gr. HP
C.O.A.L. 2.125"



Powder↓/Velocity→	2900	3000	3100	3200
AA-2015	27.5	28.6	29.6	
RE-7	24.2	25.4	26.7	27.9
IMR-3031	28.5	29.3	30.1	
Benchmark	28.2	29.2	30.2	31.2
H322	26.8	27.9	28.9	30.0
X-Terminator	27.7	28.8		
AA-2230	28.6	29.8		
IMR-4895	30.1	31.0		
Viht N135	27.8	29.3		
Varget	30.7	31.4	32.1	
Energy/ft.lbs.	1400	1499	1601	1706

	Powder	Grains	Velocity	Ft. lbs.
Accuracy Load	Viht N135	29.3	3000	1499
Hunting Load	Benchmark	31.2	3200	1706

Sierra does not recommend MatchKing bullets for hunting applications.

INDICATES MAXIMUM LOAD – USE CAUTION
LOADS LESS THAN MINIMUM CHARGES SHOWN ARE NOT RECOMMENDED.

6mm BR Remington continued

#1515 .243" 80 gr. SBT Blitz
C.O.A.L. 2.150"



#7150 .243" 80 gr. SPT (SSP)
C.O.A.L. 2.150"



#1520 .243" 85 gr. SPT
C.O.A.L. 2.170"



#1530 .243" 85 gr. HBPT
C.O.A.L. 2.150"



Powder ↓/Velocity →	2700	2800	2900	2950
AA-2015	26.1	27.3	28.5	
RE-7	23.8	25.0	26.2	
IMR-3031	26.8	27.8	28.8	29.3
Benchmark	26.8	27.8	28.8	29.3
H322	25.7	26.7	27.7	
X-Terminator	26.1	27.0		
IMR-4895	28.0	29.1	30.2	
Viht N135	25.9	27.6		
Varget	28.7	29.6	30.5	
Energy/ft.lbs.	1295	1393	1494	1546

	Powder	Grains	Velocity	Ft. lbs.
Accuracy Load	X-Terminator	27.0	2800	1393
Hunting Load	Benchmark	29.3	2950	1546

INDICATES MAXIMUM LOAD – USE CAUTION
LOADS LESS THAN MINIMUM CHARGES SHOWN ARE NOT RECOMMENDED.

6mm BR Remington continued

#1540 .243" 100 gr. SPT
C.O.A.L. 2.170"



#1560 .243" 100 gr. SBT
C.O.A.L. 2.170"



Powder↓/Velocity→	2200	2300	2400	2500	2600
AA-2015	21.6	22.6	23.6	24.6	
RE-7	19.3	20.4	21.4		
H322	20.8	21.7	22.6		
IMR-4895	22.3	23.8	25.2		
Viht N135	20.9	22.5	24.0		
Varget	21.1	22.7	24.3	25.9	27.5
AA-2520	21.8	23.2	24.5	25.9	27.2
Viht N140	21.8	23.3	24.8	26.2	27.7
Viht N540	22.6	23.9	25.2	26.5	27.8
RE-15	20.6	22.4	24.1	25.9	27.6
Energy/ft.lbs.	1074	1174	1279	1388	1501

	Powder	Grains	Velocity	Ft. lbs.
Accuracy Load	AA-2015	23.6	2400	1279
Hunting Load	Viht N540	27.8	2600	1501

#1570 .243" 107 gr. HPBT MatchKing
C.O.A.L. 2.375"



(7"-8" twist barrel required)

Powder↓/Velocity→	2400	2500	2600	2700
AA-2015	23.5	24.8	26.1	
H322	23.1	24.3	25.5	
IMR-4895	24.9	26.2	27.4	28.7
Viht N135	23.9	25.5	27.0	
Varget	25.5	26.8	28.1	29.4
AA-2520		26.0	27.3	28.6
Viht N140	25.0	26.3	27.5	
Viht N540	25.5	26.5	27.5	28.5
RE-15	24.7	25.9	27.1	28.3
Energy/ft.lbs.	1368	1485	1606	1732

	Powder	Grains	Velocity	Ft. lbs.
Accuracy Load	Varget	28.1	2600	1606

Sierra does not recommend MatchKing bullets for hunting applications.

INDICATES MAXIMUM LOAD – USE CAUTION
LOADS LESS THAN MINIMUM CHARGES SHOWN ARE NOT RECOMMENDED.